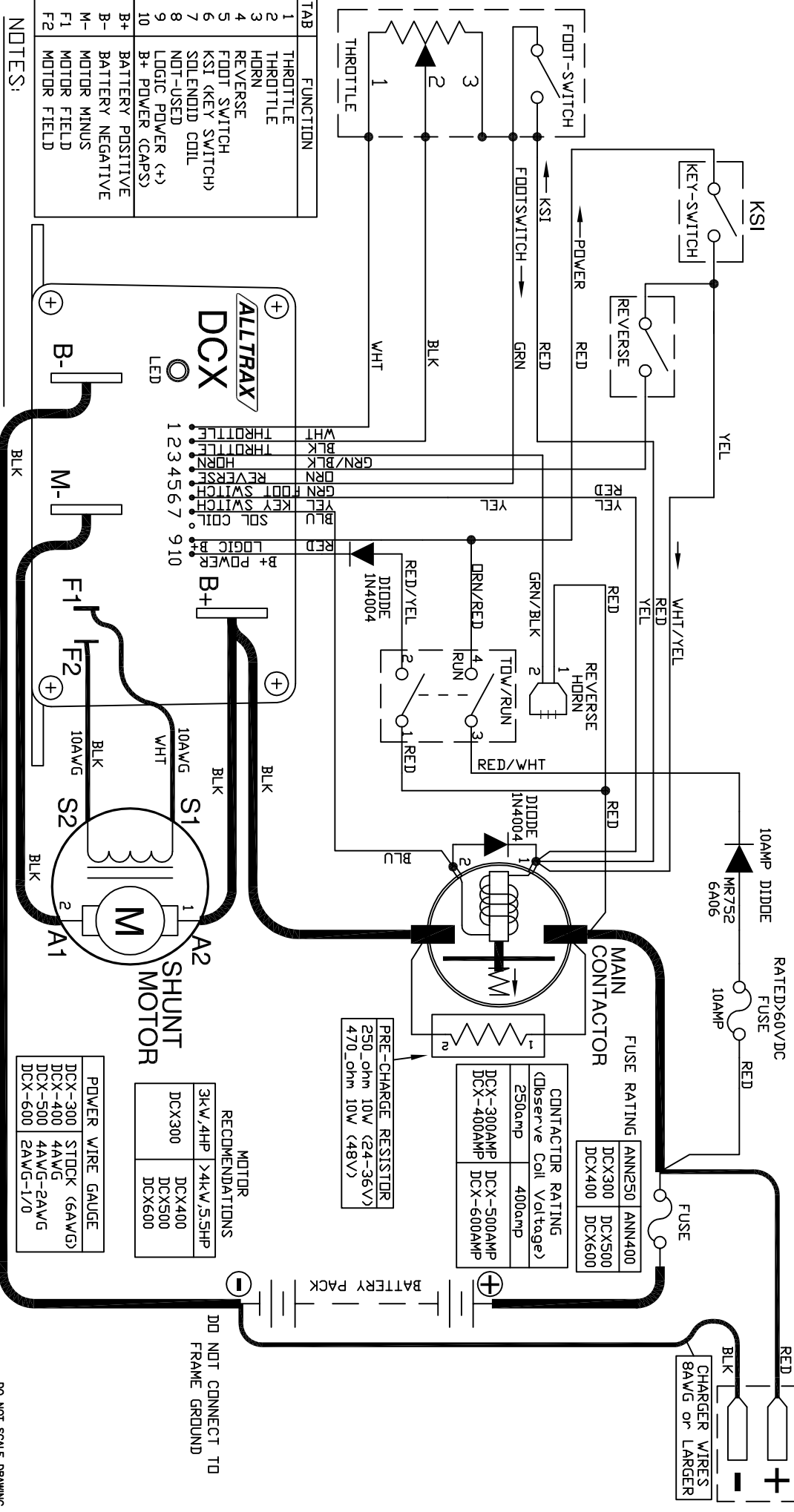


GENERIC DCX W/ ANTI-ROLL AWAY FOR SHUNT (SEPERATELY EXCITED) WOUND MOTORS (DCX and NCX products)



- NOTES:**
- * FUSES REQUIRED FOR ALL INSTALLATIONS
 - * DIODE REQUIRED ACROSS COILS / RELAYS
 - * TOW/RUN SWITCH PREVENTS REGEN WHILE TOWING
 - > ASSUMES FOOTSWITCH IS OPEN WHEN THROTTLE OFF
 - > ALLTRAX RESERVES THE RIGHT TO CHANGE DOCUMENTATION WITHOUT NOTICE
 - > ALLTRAX MAKES NO WARRANTY AS TO THE ACCURACY, SUFFICIENCY, OR SUITABILITY OF ANY TECHNICAL OR OTHER INFORMATION PROVIDED
 - > SEE OPERATORS MANUAL FOR MORE INFORMATION

| REVISIONS | | | DWG SCALE: NTS | | |
|-----------|--------|--------|----------------|-------|------------|
| REV. | ECO. | DATE | APVD | DRAWN | R. CSUK |
| A | 102208 | 061108 | RC | ENGR | D.Crockett |

THIS TECHNICAL DATA IS PROPRIETARY AND SHALL NOT BE REPRODUCED, RELEASED, OR DISCLOSED IN ANY MANNER WITHOUT THE WRITTEN PERMISSION OF ALLTRAX INC.

| | |
|-------------------------------------------|--------------|
| FILE: _DWG-DCX-GENERIC-W-Antirollaway.dwg | SHEET 1 of 1 |
|-------------------------------------------|--------------|